

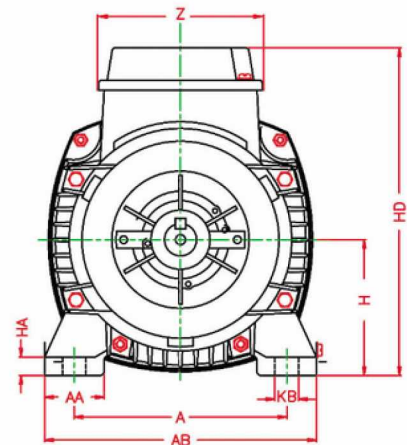
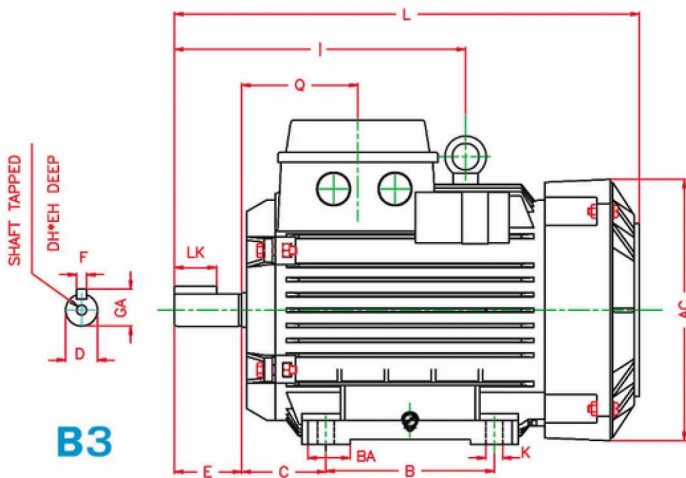
۰,۳۷ کیلووات - ۰,۵ اسب بخار - ۱۰۰۰ دور

## TECHNICAL SPECIFICATIONS

PARAMETERS	Value
Motor type	80-6A
Frame size	80
Output power (KW/HP)	0.37/0.5
Rated voltage D/Y-(V)	220D/380Y
Rated Speed (RPM)	925
Rated current D/Y-(A)	2.2D/1.3Y
Rated torque (N m)	3.84
Efficiency (%)	68
Power factor (cos phi)	0.66
Starting current/Rated current	3
Starting torque/Rated torque	2.3
Breakdown torque/Rated torque	2.5
Moment of inertia (Kg*m2)	0.002162
Weight (Kg)	9
Color	Blue-RAL5001
Body	Aluminium
Stator winding wire material	copper
Rotor winding material	aluminium
Driven end bearing	6204-2Z
Non-driven end bearing	6204-2Z
Insulation class	B
Thermal Class	F
IP درجه حفاظت	54

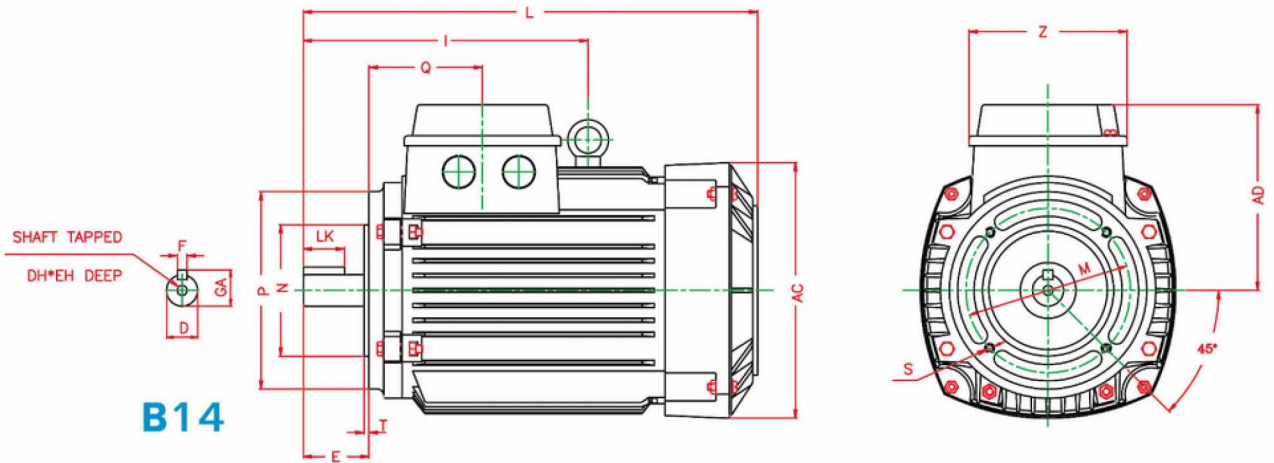
الکتروموتور (۸۰-۶A) ۳۸۰/۲۲۰ ۵۴۴ ۱۰۰۰-۰,۳۷ .۸۰M۶A

فلنج B3



B	BA	K	KB	AB	A	AA	HA	AC	Z	Q	I	L	E	EH	DH	GA	LK	F	D
100	25	10	14	160	125	35	11	156	96	68.5	-	276	40	-	-	21.5	25	6	19

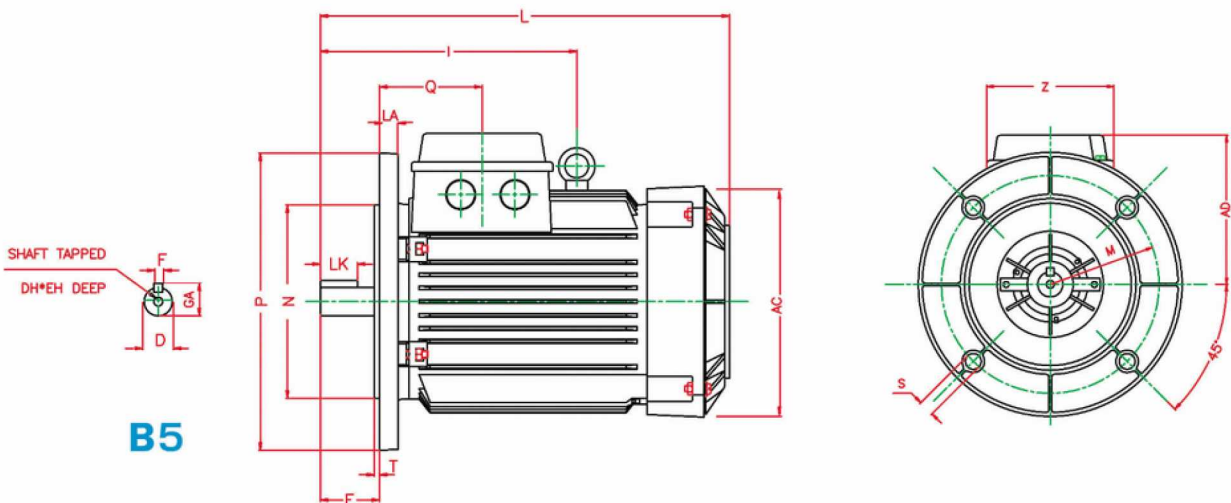
FLANGE SYM (DIN)	FLANGE SYM (IEC)	T	S	P	N	M	LA	AD	HD	H	C
-	-	-	-	-	-	-	-	-	194	80	50



**B14**

B	BA	K	KB	AB	A	AA	HA	AC	Z	Q	I	L	E	EH	DH	GA	LK	F	D
-	-	-	-	-	-	-	-	156	96	68.5	-	276	40	-	-	21.5	25	6	19

FLANGE SYM (DIN)	FLANGE SYM (IEC)	T	S	P	N	M	LA	AD	HD	H	C
-	C120	FT100	M6	120	80	100	-	114	-	-	-



**B5**

B	BA	K	KB	AB	A	AA	HA	AC	Z	Q	I	L	E	EH	DH	GA	LK	F	D
-	-	-	-	-	-	-	-	156	96	68.5	-	276	40	-	-	21.5	25	6	19

FLANGE SYM (DIN)	FLANGE SYM (IEC)	T	S	P	N	M	LA	AD	HD	H	C
A200	FF165	3.5	12	200	130	165	12	114	-	-	-