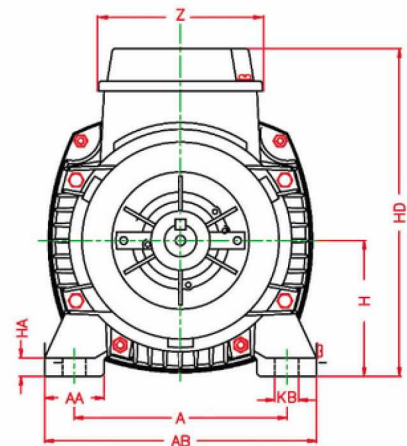
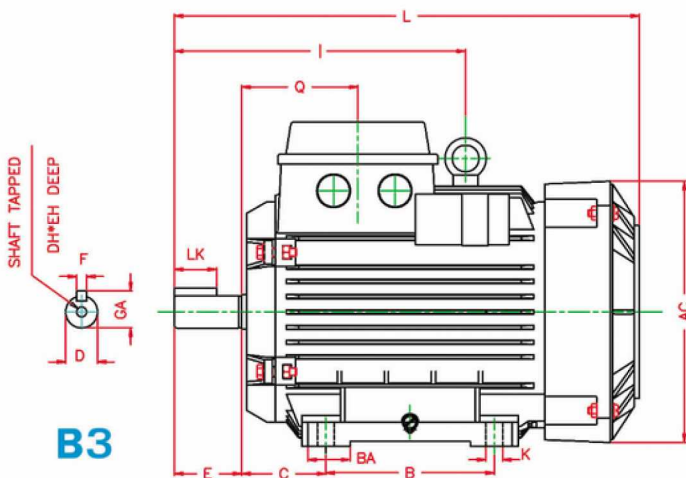


TECHNICAL SPECIFICATIONS	
PARAMETERS	Value
Motor type	71-4B
Frame size	71
Output power (KW/HP)	0.37/0.5
Rated voltage D/Y-(V)	220/380
Rated Speed (RPM)	1390
Rated current D/Y-(A)	2/1.1
Rated torque (N m)	2.54
Efficiency (%)	73
Power factor (cos phi)	0.71
Starting current/Rated current	3.7
Starting torque/Rated torque	2.2
Breakdown torque/Rated torque	2.5
Moment of inertia (Kg*m2)	0.000744
Weight (Kg)	6.6
Color	Blue-Ral5001
Body	Aluminium
Stator winding wire material	copper
Rotor winding material	aluminium
Driven end bearing	6202-2Z
Non-driven end bearing	6202-2Z
Insulation class	F
Thermal Class	B
درجه حفاظت IP	54

الکتروموتور (Y1-FB) ۵۴۴ ۲۲۰/۳۸۰ ۱۵۰۰-۰.۳۷ Y1MFB

فلنج B3



B	BA	K	KB	AB	A	AA	HA	AC	Z	Q	I	L	E	EH	DH	GA	LK	F	D
90	18	7	10	140	112	28	11	138	76	58	-	241	30	-	-	16	18	5	14

FLANGE SYM (DIN)	FLANGE SYM (IEC)	T	S	P	N	M	LA	AD	HD	H	C
-	-	-	-	-	-	-	-	-	175	71	45

