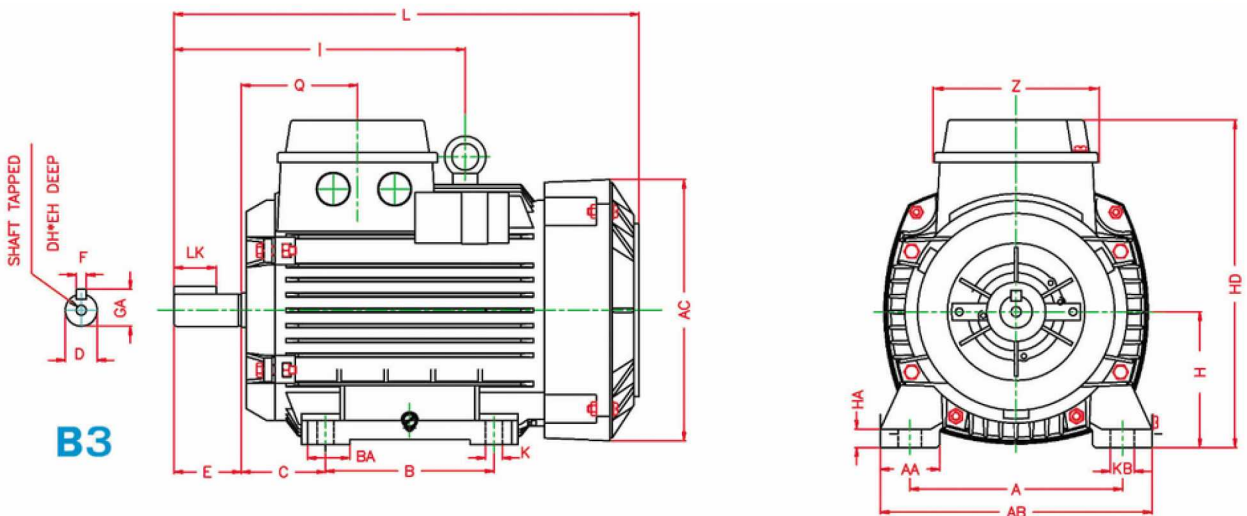


۰.۰۶ کیلووات - ۰.۰۸ اسب بخار - ۱۵۰۰ دور

TECHNICAL SPECIFICATIONS	
PARAMETERS	Value
Motor type	56-4A
Frame size	56
Output power (KW/HP)	0.06/0.08
Rated voltage D/Y-(V)	220/380
Rated Speed (RPM)	1360
Rated current D/Y-(A)	0.5/0.3
Rated torque (N m)	0.42
Efficiency (%)	53
Power factor (cos phi)	0.58
Starting current/Rated current	2.8
Starting torque/Rated torque	2.7
Breakdown torque/Rated torque	2.8
Moment of inertia (Kg*m2)	0.000148
Weight (Kg)	2.7
Color	Blue-Ral5001
Body	Aluminium
Stator winding wire material	copper
Rotor winding material	aluminium
Driven end bearing	6201-2Z
Non-driven end bearing	6201-2Z
Insulation class	F
Thermal Class	B
IP درجه حفاظت	54

الکتروموتور (۵۶-۴ا) ۲۲۰/۳۸۰ ۵۴۴ ۱۵۰۰-۰۶ .۵۶MFA

فلنج B3



B	BA	K	KB	AB	A	AA	HA	AC	Z	Q	I	L	E	EH	DH	GA	LK	F	D
71	19	6	10	112	90	22	10	106	76	55.5	-	189	20	-	-	10.2	12	3	9

FLANGE SYM (DIN)	FLANGE SYM (IEC)	T	S	P	N	M	LA	AD	HD	H	C
-	-	-	-	-	-	-	-	-	145	56	36